



Smart Solutions for Street Lights

Public lighting optimization is a major challenge in terms of attractiveness, safety and savings for public authorities, professionals or individuals. CandyLED respond to these needs by offering a solution to reduce costs and the environmental impact. It is the ideal solution for public lighting of high traffic roads, streets and residential lanes. This range benefits an excellent energy efficiency, requires little maintenance and offer 5 year warranty.

Applications

- Street Lights
- Highways
- Main roads and expressways
- Roads and Residential streets

Benefits

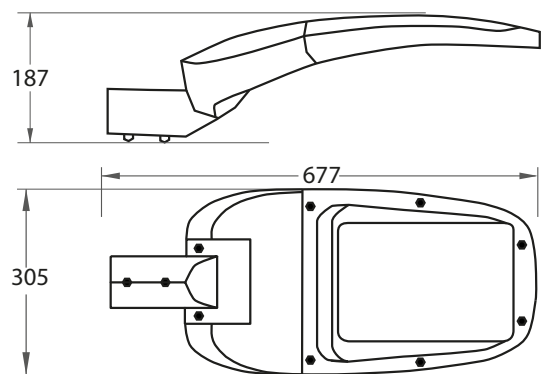
- Smart control: intelligent control and management system
- LoRaWAN connectivity
- Luminous efficacy: superior than 145 lumens/W
- Lens fitted: Road Optics
- Ingress Protection: IP66
- Mechanical Impact Protection: IK10
- Surge protection: 4KV (10Kv optional)
- Lifespan: 100 000 H+
- Warranty : 5years
- Easy installation



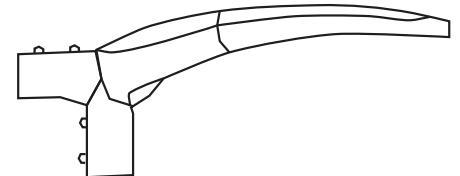
Characteristics

Nominal Power	100-265V AC 50Hz
LED Technology	SMD
Power	150W
Control	Smart Lighting control
Dimmability	Dimmable Driver 0/1 to 10
Surge protection	10Kv
Luminous Flux	>145Lumens/W
Color Temperature	3 000k - 4 000k - 6 500K
Color Rendering Index	>=75
Mechanical Impact Protection	IK10
Ingress Protection	IP66
Lifespan	100 000H+
Protection Class CEI	Class II
Operation temperature	-40°C to +50°C

Dimensions (mm)



Length (mm) : 616 / Width (mm) : 259 / Height (mm) : 186



Angle of inclination : From 0° to +90°

Materials

Matériaux boîtier	Aluminium
Cache	Thermally tempered glass

Installation

Cross section Horizontal	Max Ø65
Cross section vertical	Max Ø65

IOT module characteristics

Communication	LoRaWan
Fréquency	EU 863MHz~870MHz
Collected data	On/Off/Dimming, voltage, courant, Consommation & power factor
Integrated sensor	Photocell

Waterproof IP67 connector included

Address: Immeuble 3s, Rue Abou Hamed El Ghazeli, Montplaisir, Tunis Tunisie

✉ contact@candyled.com

Tel: +216 71 120 210

Fax: + 216 70 200 902

@ www.candyled.com