

An aerial night view of a city, likely Los Angeles, showing a dense grid of streets illuminated by warm yellow and orange lights. The perspective is from a high angle, looking down on the city's layout. The lights create a vibrant, glowing pattern across the urban landscape.

**CANDY  
LED**  
*Brighten your life !*



# P R E S E N T A T I O N



Derived from the world of Information Technologies, networks and Internet, the Group 3S, leading its field, gets into the Cleantech industries in the realm of electronics and electroluminescence under the Candyled brand.

This first investment in the world of Cleantech is part of the LED lighting sector, where technological breakthroughs in progress have already increased the efficiency of conventional lighting tenfold to reach today more than 160 lumens per watt.

At the crossroads of the Mediterranean, Candy Led manufactures, at its plant ideally located in the south of Tunis, the heart of LED lighting technology: the COB module (Chip On Board).

Backed by an in-house engineering department, Candyland has the ability to design, prototyping and mass-manufacturing any LED lighting fixture, whether under its own brand or in white label for manufacturers, integrators or distributors.

Our entry into the closed class of COB-LED modules manufacturers, aims firstly to participate in the international evolution of this new industry, then to further improve the performance of this technology and to move up the value chain of this sector, both in electronics and in semiconductor chemistry. In view of our pedigree IT, our contribution should impact the embedded intelligence promised by the Internet of Things (IoT).

Since technology is of no value and importance unless it offers the most widespread benefit possible, our ultimate objective is to democratize the use of LED lighting in the Mediterranean basin, the Middle East and Africa in order to make it accessible to everyone. As first factory in this field in Africa, the Middle East and the Arab world, we naturally aspire to be among the leading suppliers of LED lighting in this geographical area.





# WHY CANDYLED?



The **LED (Lighting Emmiting Diode)** is an electronic component of the family of Optoelectronic components capable of emitting light when an electric current flows through it.

Appeared in 1962, the LED is **one of the most powerful, economic and durable light sources.**



Many now consider it as the most revolutionary invention in over hundred years. In fact, the applications integrating LEDs are almost infinite...

## THE NUMEROUS BENEFITS OF CANDYLED LIGHTING SYSTEM

Our LED lighting solutions have significant strengths for saving energy, reducing costs of ownership and maintenance:

Compliance with standards	Warranty	Lifespan
Compliance with the highest quality and safety standards, including European standards	Up to 5 years warranty for street lights & professional lighting	Street Lights and professional lighting lifetime is 100 000H+
Colours rendering	Security	Energetic efficiency
Good colour rendering	Contains neither Mercury nor Lead. No Ultraviolet (UV) or Infrared emission	Up to 90% energy saving
Instant ignition	Luminous efficiency	Color temperature
100% instant lighting	Up to 160 Lumens per Watt	Wide range of color temperatures from warm white to cool white



# TRACK LIGHT



The Track Light is an effective form of ambient lighting. It allows to direct the light of any shape and any room or exhibition space.

This lighting can attract buyers with high quality light that accentuates the intense whites and rich colours.

This range offers immediate energy savings, long life and excellent value for money.

## | APPLICATIONS:

- Shops and showrooms
- Supermarkets
- Offices

## | BENEFITS:

- Good energy performance
- Adjustable light to fit the decor
- Lifespan: 50 000 H+





# TRACK LIGHT



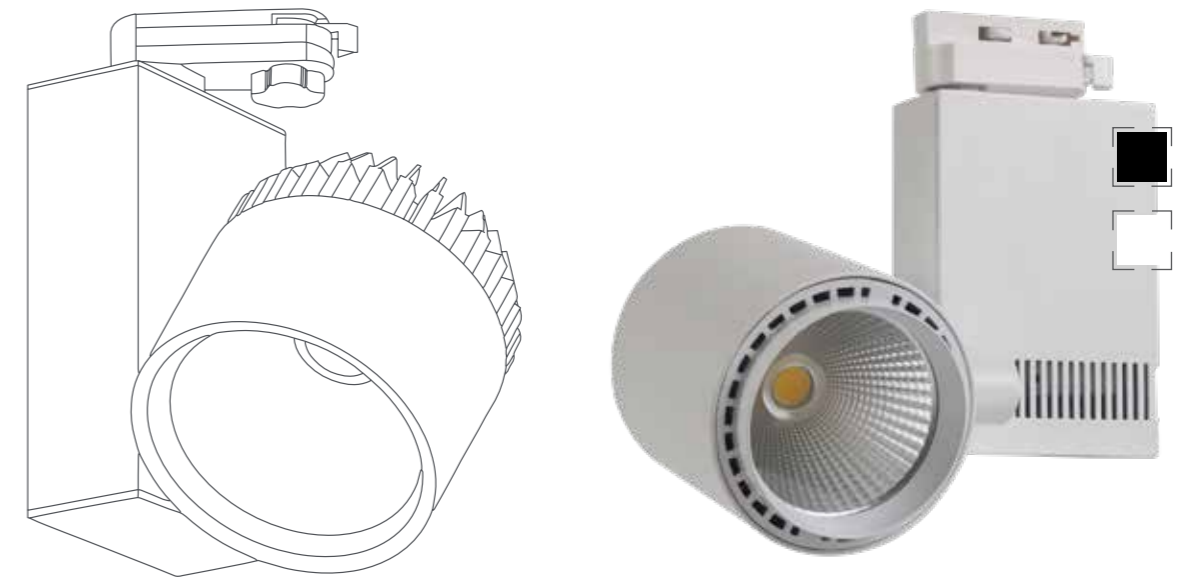
Track Light 22W 25°/45°  
Track Light 37W 25°/45°

Linear Lighting 40W

	W							References
22W 230V AC 25°- 45° PF>0.9	22	220 - 240V AC	25°	A+	30 000 h+	240- 180 - 100	4000	2 100
			45°					D022D9N3/4
37W 230V AC 25°- 45° PF>0.9	37	220 - 240V AC	25°	A+	30 000 h+	240- 180 - 100	4000	3 300
			45°					D037D9N5/6
40W 230V AC 110° PF>0.9	40	220 - 240V AC	120°	A+	50 000 h+	1 500	3000	6 000
							4 000	6 000
								D040D9J1
								D040D9N1



## TRACK LIGHT 22W - 230V AC



### CHARACTERISTICS:

Power	Voltage	Luminous Flux	Beam Angle
22 W	220 - 240V	2 100 Lumens	25° - 45°
Energetic Class	Lifespan	Dimensions	
A+	30 000 h+	240 mm x 180 mm x 100 mm	

### TO ORDER:

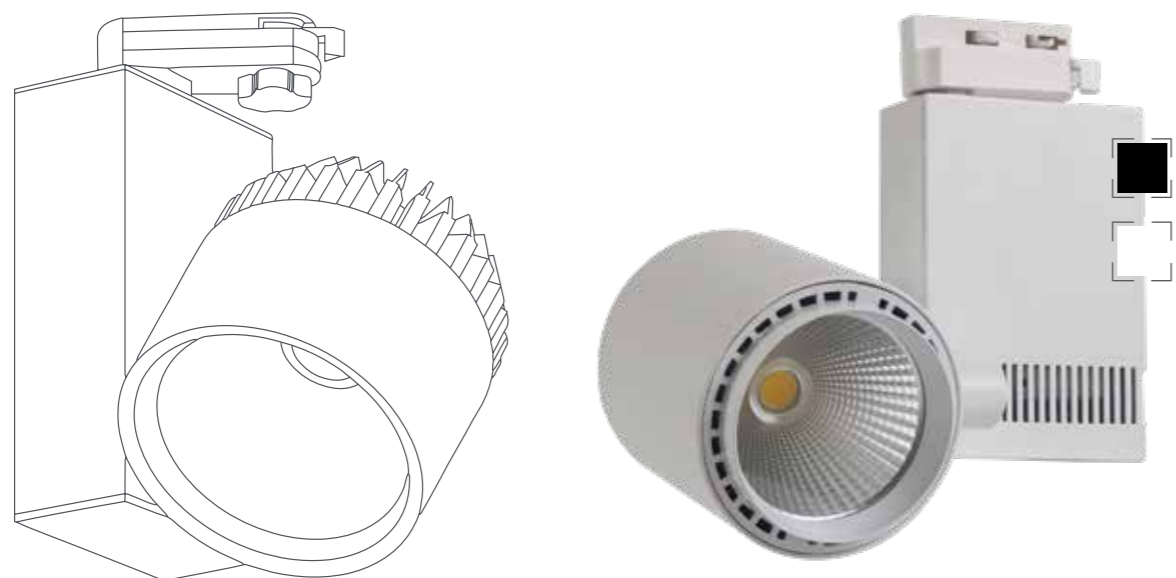
References	Bar code	Colours temperatures
D022D9N1-W25	6193102801638	Neutral white 4 000k
D022D9N1-B25	6193102801645	Neutral white 4 000k
D022D9N1-W45	6193102801652	Neutral white 4 000k
D022D9N1-B45	6193102801669	Neutral white 4 000k

Track Lights are available in white and black housing  
Rails and mounting accessories are available in White, Grey and Black.

Series  
LED COB



# TRACK LIGHT 37W - 230V AC



37W LED
220-240V AC 50Hz
3300 LUMENS
CRI ≥90
IP20
PF >0,9

### CHARACTERISTICS:

Power	Voltage	Luminous Flux	Beam Angle
37 W	220 - 240V	3 300 Lumens	25° - 45°
Energetic Class	Lifespan	Dimensions	
A+	30 000 h+	240 mm x 180 mm x 100 mm	

### TO ORDER:

References	Bar code	Colours temperatures
D037D9N1-W25	6193102801676	Neutral white 4 000k
D037D9N1-B25	6193102801683	Neutral white 4 000k
D037D9N1-W45	6193102801690	Neutral white 4 000k
D037D9N1-B45	6193102801706	Neutral white 4 000k

Track Lights are available in white and black housing  
 Rails and mounting accessories are available in White, Grey and Black.

Series  
**LED COB**



# LED LINEAR 40W - 230V AC



40W LED
220-240V AC 50Hz
6000 LUMENS
CRI ≥80
IP20
150lm/W

### CHARACTERISTICS:

Power	Voltage	Luminous Flux	Beam Angle
40 W	220 - 240V	6 000 Lumens	120°
Energetic Class	Lifespan	Dimensions	
A+	50 000 h+	1500 mm	

### TO ORDER:

References	Bar code	Colours temperatures
D040D9J1	6193102801300	Warm White 3 000K
D040D9N2	6193102801317	Neutral White 4 000K

LED linear are available in 1.5m sections but can be adapted on request to the following dimensions: 0.75m, 2.25m & 3.0m.

Series  
**LED SMD**

Track Light

Track Light



CONTACT:

DISTRIBUTORS

distribution@candyled.com

Website: [www.candyled.com](http://www.candyled.com)

**OFFICES:**

Immeuble 3S, Rue Abou Hamed Ghazali, 1073 Montplaisir, Tunis, Tunisie

**SHOWROOM :**

Immeuble Nefissa, 31 rue des Entrepreneurs, 2035 Chargia2, Tunis, Tunisie

Tel: +216 71 120 210

**PRODUCTION SITE :**

Zone Industrielle Zriba, 1182 Zaghuan, Tunisie

Email: [contact@candyled.com](mailto:contact@candyled.com)

©2023 CANDYLED

Tous droits réservés. La reproduction partielle ou totale est interdite sans l'accord écrit préalable du titulaire des droits d'auteur.  
L'information présentée dans ce document est réputée être exacte et fiable et peut être changée sans notification.  
Candyled est une marque déposée de Sky Industries.

# Certificat

Référentiel **ISO 9001:2015**

Enregistré sous le n° **01 100 2115631**

Titulaire du certificat:



**SKY INDUSTRIES**

31 Rue des Entrepreneurs, Charguia 2  
2035 Tunis  
Tunisie

Domaine d'activité:

Conception, fabrication, vente et livraison de modules de LED,  
d'alimentations électriques et de luminaires à base de LED

Validité:

Par l'audit, la conformité aux exigences de la norme  
ISO 9001:2015 a été démontrée.

Ce certificat est valable du 27.10.2021 jusqu'au 26.10.2024.  
Certification initiale 2021

01.11.2021

TÜV Rheinland Cert GmbH  
Am Grauen Stein · 51105 Köln

[www.tuv.com](http://www.tuv.com)



© TÜV, TÜV and TÜV are registered trademarks. Utilisation and application requires prior approval.

**CANDY  
LED**  
*Brighten your life !*

**Candyled - Showroom**

Immeuble Nefissa

31, Rue des Entrepreneurs

2035 Charguia 2 Tunis

Tel: +216 71 120 210

Fax : +216 70 200 902

[contact@candyled.com](mailto:contact@candyled.com)

[www.candyled.com](http://www.candyled.com)

