



Smart Solutions for Street Lights

Public lighting optimization is a major challenge in terms of attractiveness, safety and savings for public authorities, professionals or individuals. CandyLED respond to these needs by offering a solution to reduce costs and the environmental impact. It is the ideal solution for public lighting of high traffic roads, streets and residential lanes. This range benefits an excellent energy efficiency, requires little maintenance and offer 5 year warranty.

Applications

- Street Lights
- Highways
- Main roads and expressways
- Roads and Residential streets

Benefits

- Luminous efficacy: superior than 145 lumens/W
- Lens fitted: Road Optics
- Ingress Protection: IP66
- Mechanical Impact Protection: IK10
- Surge protection: 4KV (10Kv optional)
- Lifespan: 100 000 H+
- Warranty : 5years
- Easy installation



Characteristics

Nominal Power	100-265V AC 50Hz
LED Technology	SMD
Power	150W
Dimmability	No (Dimmable Driver 0/1 to 10 optional)
Surge protection	4KV (10Kv optional)
Luminous Flux	>145 Lumens/W
Color Temperature	3 000k - 4 000k - 6 500K Warm White - Neutral White - Cold White
Color Rendering Index	>=75
Mechanical Impact Protection	IK10
Ingress Protection	IP66
Lifespan	100 000H+
Protection Class CEI	Classe II
Operation temperature	-40°C to +50°C

Materials

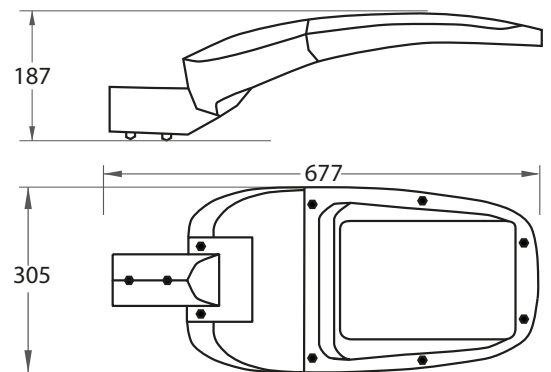
Body	Aluminium
Glasses	Thermally tempered glass

Installation

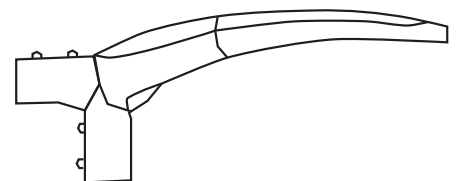
Cross section Horizontal	Max Ø65
Cross section vertical	Max Ø65



Dimensions (mm)



Length (mm) : 616 / Width (mm) : 259 / Height (mm) : 186



Angle of inclination : From 0° to +90°

