



Smart Solutions for Street Lights

Public lighting optimization is a major challenge in terms of attractiveness, safety and savings for public authorities, professionals or individuals. CandyLED responds to these needs by offering a solution to reduce costs and the environmental impact. It is the ideal solution for public lighting of high traffic roads, streets and residential lanes. This range benefits an excellent energy efficiency, requires little maintenance and offer 5 year warranty.

Applications

- Street Lights
- Highways
- Main roads and expressways
- Roads and Residential streets

Benefits

- Luminous efficacy: superior than 150 lumens/W
- Lens fitted: Road Optics
- Ingress Protection: IP66
- Mechanical Impact Protection: IK10
- Surge protection: 10Kv
- Lifespan: 100 000 H+
- Warranty : 5years
- Easy installation



Characteristics

Nominal Power	100-265V AC 50/60Hz
LED Technology	SMD
Power	80W
Dimmability	No (Dimmable Driver 0/1 to 10 optionnal)
Surge Protection	10Kv
Luminous efficiency	>150Lumens/W
Luminous Flux	12 000 Lumens
Color Temperature	3 000k - 4 000k - 6 500K Warm White - Neutral White - Cold White
Color Rendering Index	>=75
Mechanical Impact Protection	IK10
Ingress Protection	IP66
Lifespan	100 000H+
Protection Class CEI	Class II
Operating Temperature	-10°C à +50°C

Materials

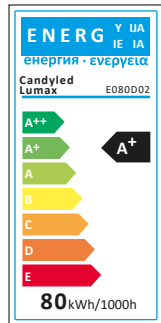
Body	Aluminium
Glasses	Thermally tempered glass
Sealing gasket	Anti-aging silicone seals
Screws and bolts	AISI 304 stainless steel

Installation

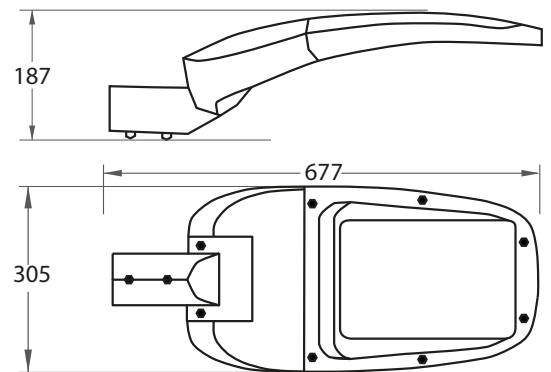
Installation on vertical cross Range from Ø40mm to 65mm



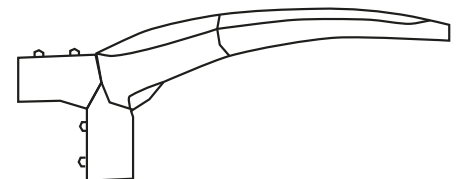
Management System
ISO 9001:2015
Valid until:
2024-10-26
www.tuv.com
ID 9000017329



Dimensions (mm)



Length (mm) : 677 / Width (mm) : 305 / Height (mm) : 187



Angle d'inclinaison : de 0° à +90°